

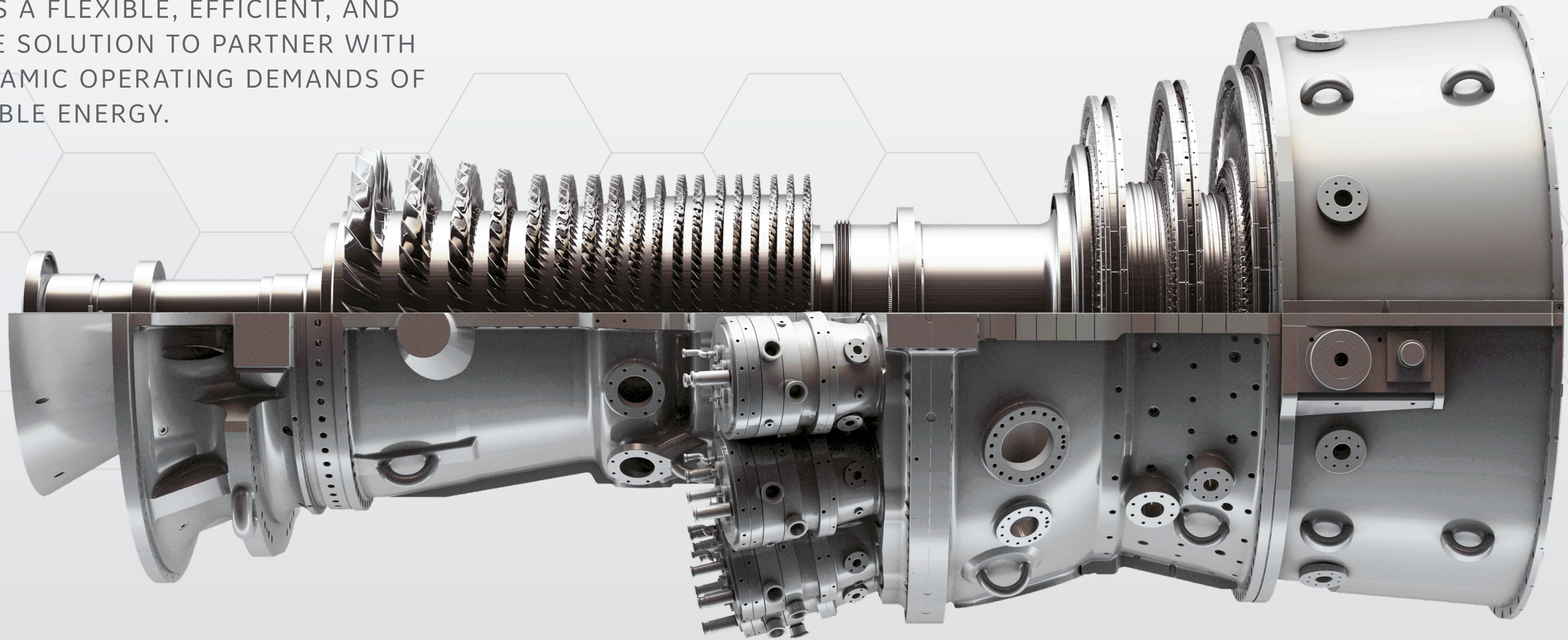
7F.04

HEAVY DUTY GAS TURBINE



201 MW SIMPLE CYCLE OUTPUT **309 MW** 1X1 COMBINED CYCLE OUTPUT **622 MW** 2X1 COMBINED CYCLE OUTPUT **>60%** COMBINED CYCLE EFFICIENCY 60 Hz

THE 7F IS A FLEXIBLE, EFFICIENT, AND RELIABLE SOLUTION TO PARTNER WITH THE DYNAMIC OPERATING DEMANDS OF RENEWABLE ENERGY.



UP TO
80%+
HYDROGEN CAPABILITY

[ge.com/gas-power](https://www.ge.com/gas-power)

READY TODAY.
REINVENTING TOMORROW.